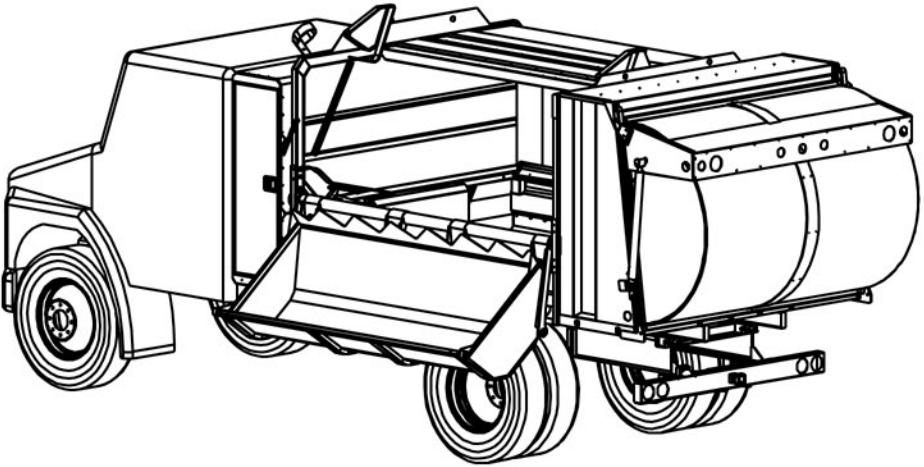
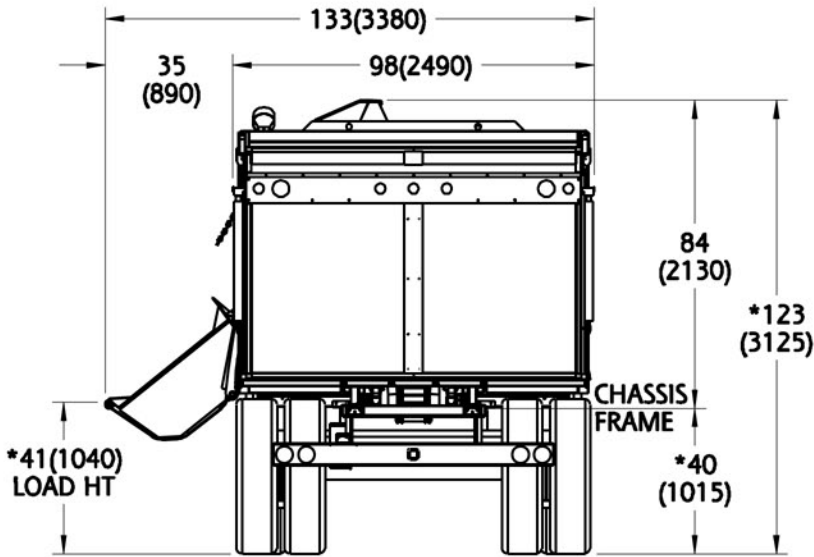
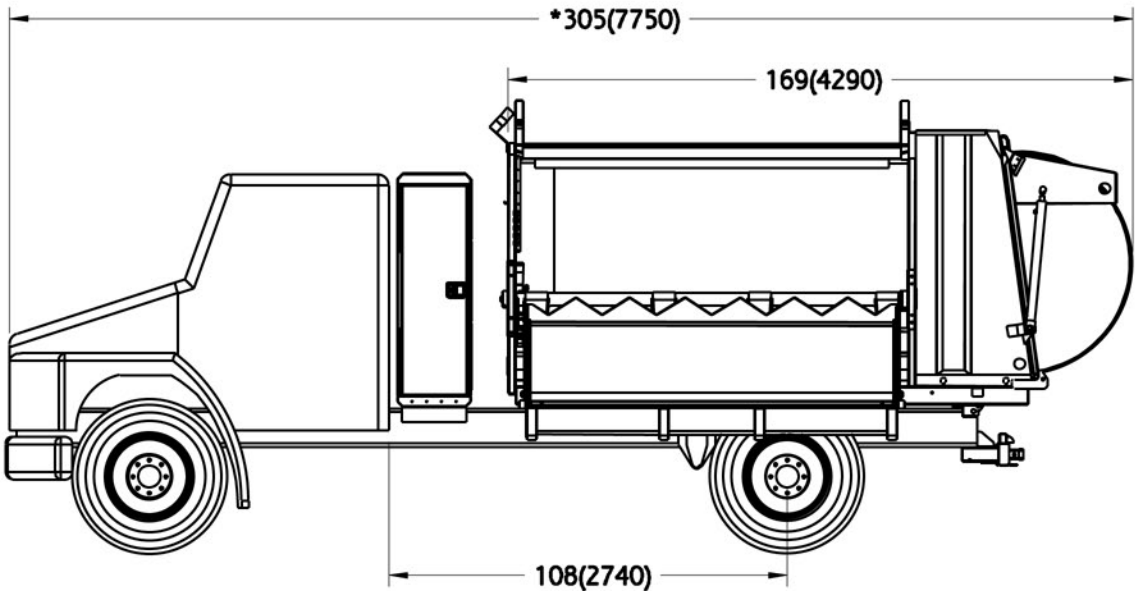


FEATURE	DESCRIPTION	SPECIFICATION	
Capacity	Minimum Body Volume	18 cu yd (13-3/4 cu m)	
	Net Body Weight	5600lbs (2540kg)	
	Minimum Bucket Volume	1 cu yd (3/4 cu m)	
	Minimum Bucket Capacity Weight	1000lbs (450kg)	
Construction	Side Panel	14 Ga. (1.9mm) Formed Steel	
	Floor	10 Ga. (3.4mm) Formed Steel	
	Frame	10 Ga. (3.4mm) HSS Tubing	
	Rockershaft	Re-inforced Heavy Duty Pipe	
Hydraulic System	Hoist Capacity	Double Acting Cyl 45° Dump Angle	
	PTO/Pump Output @ 1200 RPM	5tons (4-1/2tonnes)	
	Hyd Valve	10gpm (38 l/min)	
		5 spool Directional Control	
		Rated Operating Pressure	3000psi (200bars)
		Capacity	15 us gpm (56 l/min)
Load & Pack Cycle	Varies with chassis	15 sec @ 1200 RPM	



* SPECIFICATIONS & DIMENSIONS ARE BASED ON A TYPICAL CHASSIS AND MAY VARY



NOTE: ALL DIMENSIONS INCHES (MILLIMETERS)

CHASSIS REQUIREMENTS	SPECIFICATION
*Gross Vehicle Weight	19500lbs (8850kg)
Minimum CA Distance	90in (2290mm)
*Rear Axle Rating	13500lbs (6125kg)
*Front Axle Rating	6000lbs (2720kg)

HAUL-ALL EQUIPMENT LTD. reserves proprietary rights on this drawing or any part of the information contained thereon. This drawing shall be considered confidential material and is not to be used for competitive bidding nor for use in any procurements other than from Haul-All Equipment Ltd.



NAME M-CLASS 1800 LH BUCKET BODY		
PART NUMBER	M1800	DRAWN BY PS
DATE	FEBRUARY 11, 2010	REVISION 1